

# SCM Series

## Common Mode Filter

### Size 3225



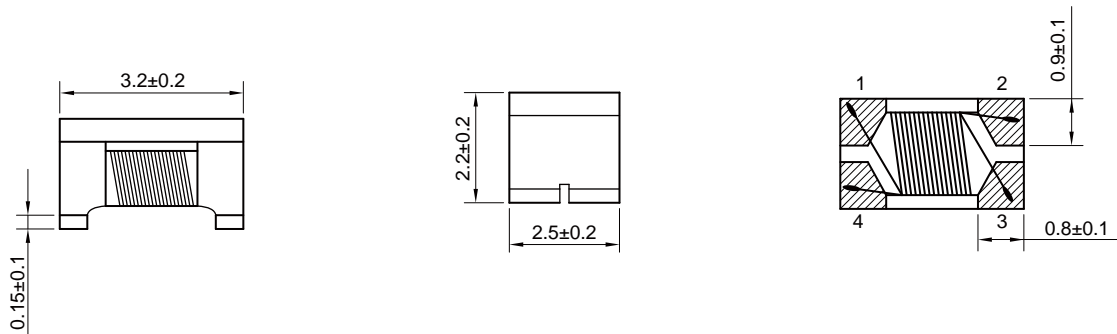
#### FEATURES

- High common mode impedance for outstanding noise suppression performance.
- Small influence on high speed signals through good coupling.
- Operating temperature  $-40\sim+125^{\circ}\text{C}$  (Including self - temperature rise)
- Excellent solderability

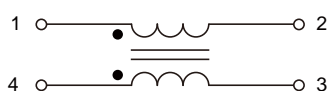
#### APPLICATIONS

- USB2.0 lines for PC, TV, Peripheral equipments
- Standard signal lines
- Audio lines
- Power lines

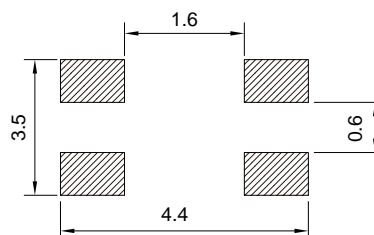
#### Dimensions: [mm]



#### Schematic:



#### Land Pattern: [mm]



#### Electrical Properties:

Part No	Impedance @ 100 MHz	Tolerance	DC Resistance Max.	Rated Current Max.	Rated Volt Max.	Withstand Volt Max.	IR Min.

## Typical Electrical Characteristics:

