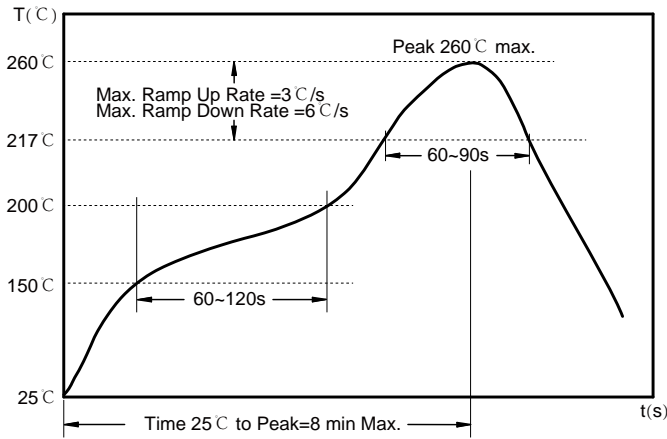




Soldering Reflow:



Preheat condition: 150 ~200°C / 60~120 sec.

Allowed time above 217°C: 60~90 sec.

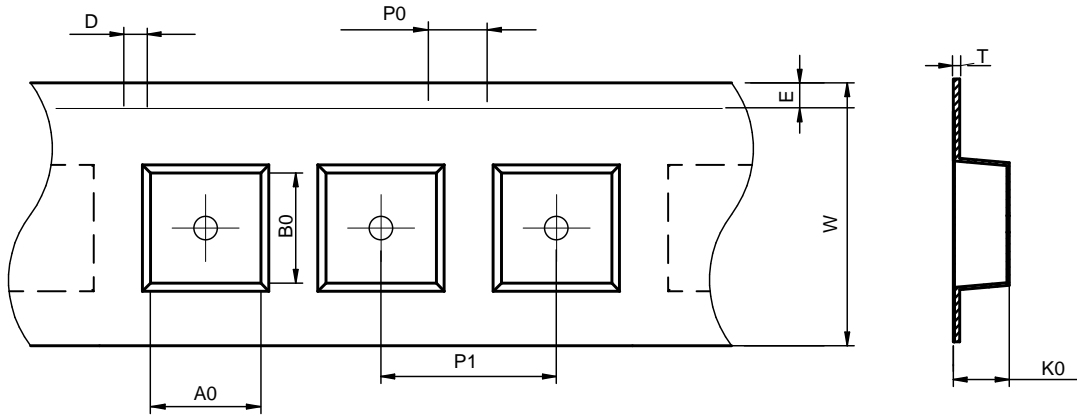
Max temperature: 260°C.

Max time at max temperature: 10 sec.

Allowed Reflow time: 2x max.

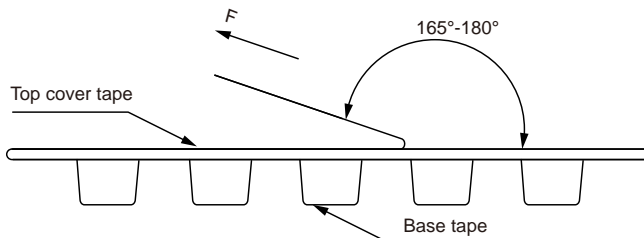
Packaging Information:

Tape Dimension:



Series	A0 (mm)	B0 (mm)	D (mm)	P0 (mm)	P1 (mm)	W (mm)	K0 (mm)	E (mm)	T (mm)
MDTE6050	7.0±0.1	6.8±0.1	1.5±0.1	4.0±0.1	12.0±0.1	16.0±0.3	5.3±0.1	1.75±0.1	0.35±0.05

Peel force of top cover tape:



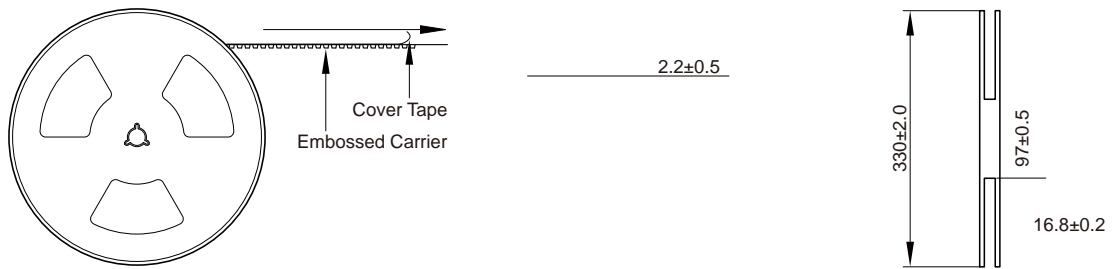
The peel force of top cover tape shall be between 0.1 to 1.3 N

Product Marking:

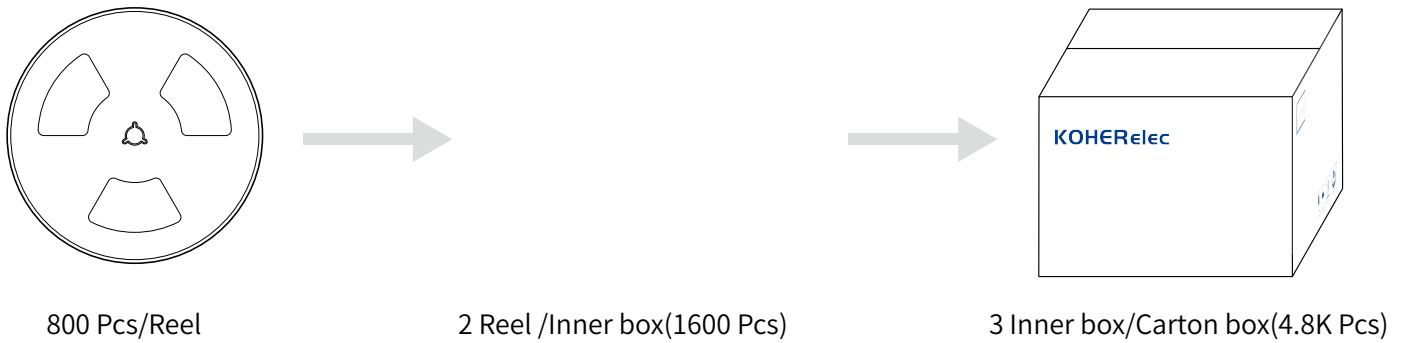
Marking	Printing (Inductance)
---------	-----------------------



Reel Dimension: [mm]



Packaging Quantity:



Cautions and Warnings:

Storage Conditions:

- The stor48 37 4.143 c1.1 4.11.0713 c1.1 4.1.1 4.1.1 10928 1.144 0 21 0.1fQq 1015 20,8 -2.04in144 months after t0.1cor
-
-
-

Operation Instructions:

-
-
-
-