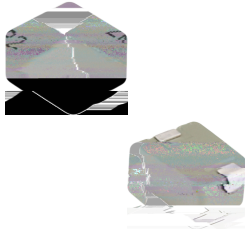


MDCA Series

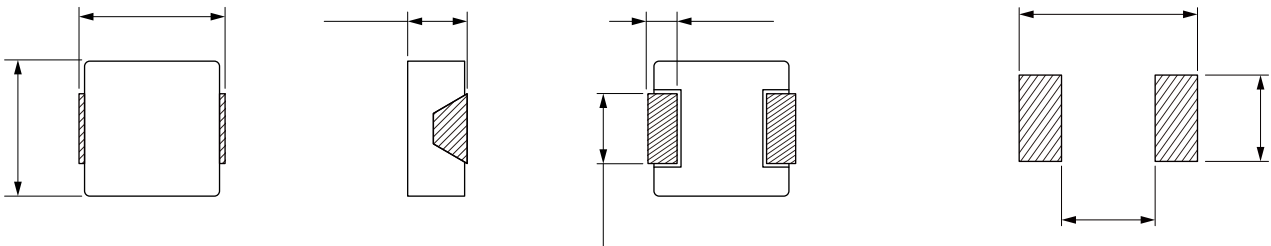


FEATURES

- Shielded construction.
- Capable of corresponding high frequency.
- Low loss realized with low DCR.
- High performance (Isat) realized by Carbonyl Powder.
- Ultra low buzz noise, due to composite construction.
- 100% Lead(Pb)-Free and RoHS compliant.
- AEC-Q200 qualified
- Operating temperature: -55 to +125 °C(including self-temperature rise)
- Quantity: 500pcs

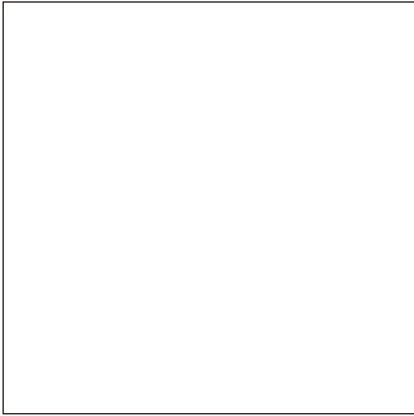
APPLICATION

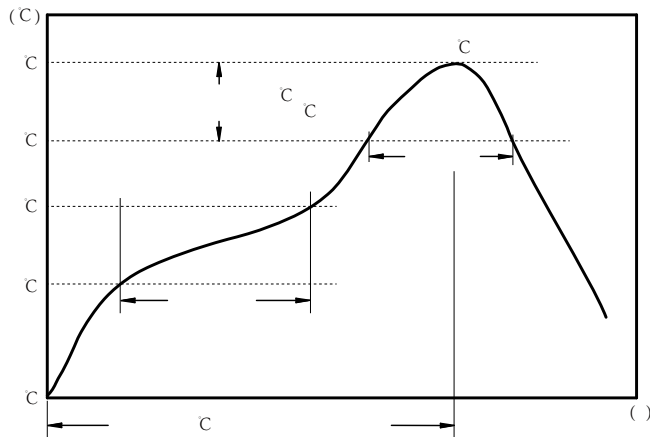
- Headlamps, tail lamps and interior lighting
- HVAC
- Doors, window lift and seat control
- Audio subsystem
- Digital instrument cluster
- In-Vehicle Infotainment and navigation



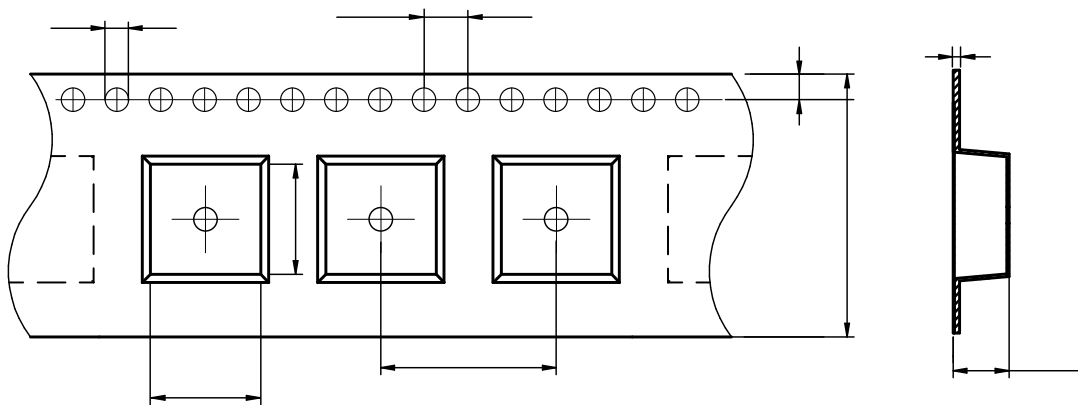
| | | | | | | | | |
|---------------|-----|------|------|------|------|------|------|------|
| | | | | | | | | |
| MDCA1390-2R2M | 2.2 | ±20% | 43.5 | 40.0 | 52.5 | 47.0 | 2.30 | 2.70 |



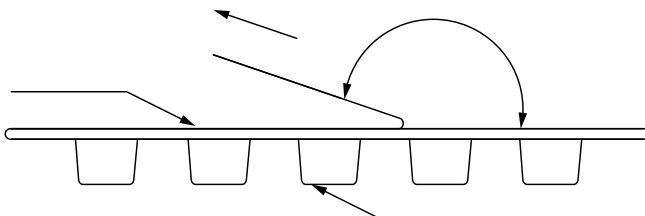




c
c
c

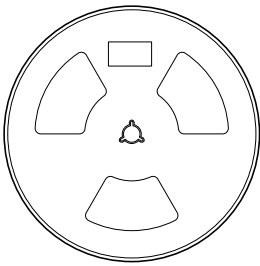
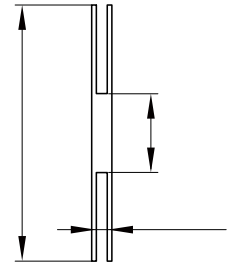
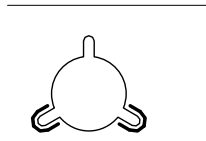
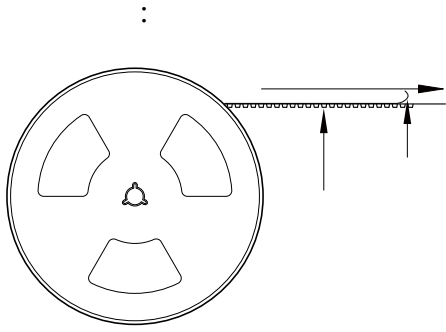


| | | | | | | | | | |
|----------|------------|------------|----------|----------|-----------|-----------|----------|-----------|------------|
| | | | | | | | | | |
| MDCA1390 | 12.95± 0.1 | 14.15± 0.1 | 1.5± 0.1 | 4.0± 0.1 | 16.0± 0.1 | 24.0± 0.3 | 8.3± 0.1 | 1.75± 0.1 | 0.50± 0.05 |

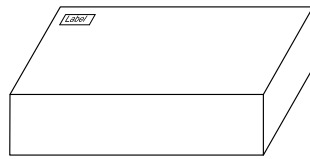


The peel force of top cover tape shall be between 0.1 to 1.3 N

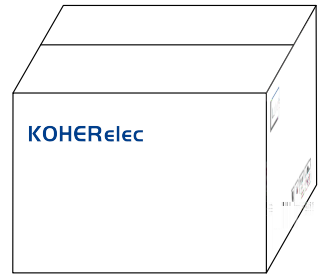
| | |
|---------|----------------------|
| Marking | Printing Inductance) |
|---------|----------------------|



500 Pcs/Reel



2 Reel /Inner box(1000 Pcs)



2 Inner box/Carton box(2K Pcs)

:

-
-
-
-
-
-
-
-
-