

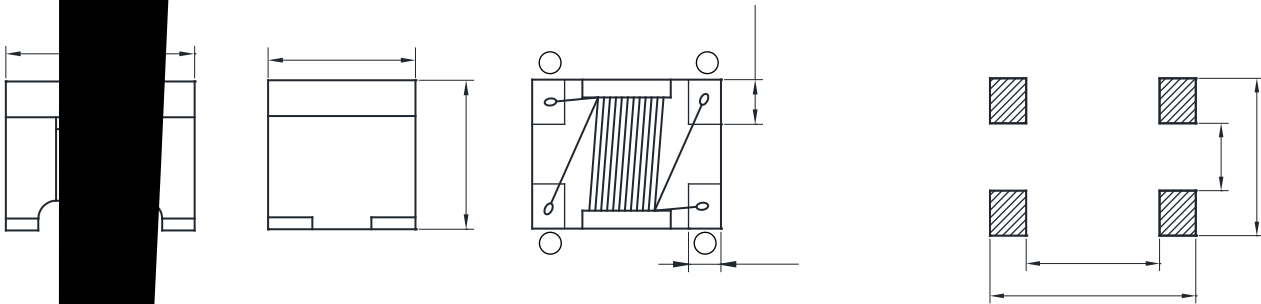


**FEATURES**

- Compact products, whose characteristics are equivalent to that of conventional products
- Common mode filter or Signal Line
- Operating temperature range: -55 to +150°C
- AEC-Q200 qualified
- Quantity: 2000pcs

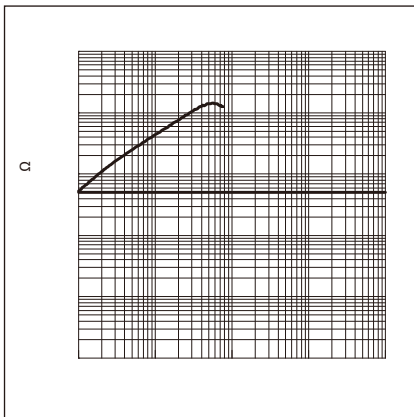
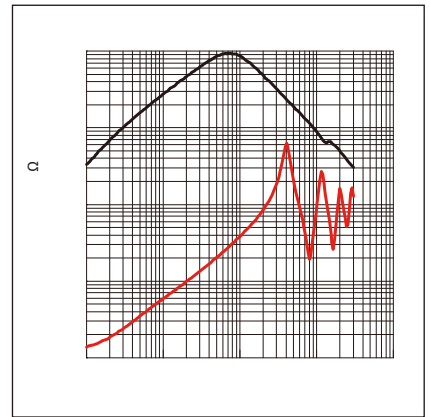
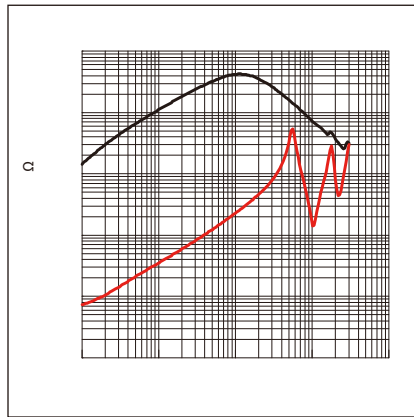
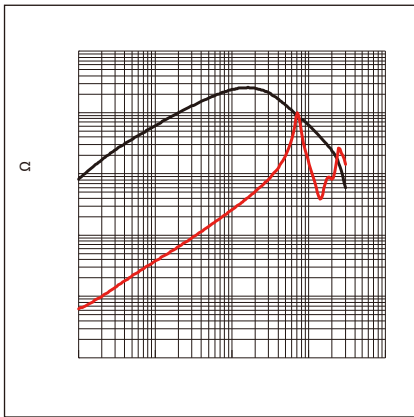
**APPLICATION**

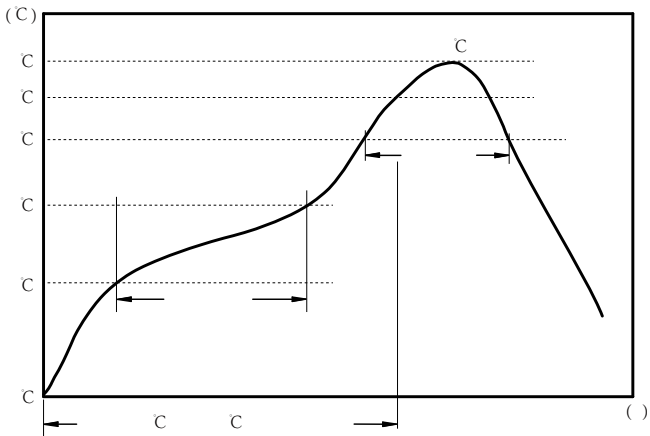
- CAN-BUS, Filter



			( $\mu$ H)		(mA)	( )	olts)	(M )
	( )	( )						

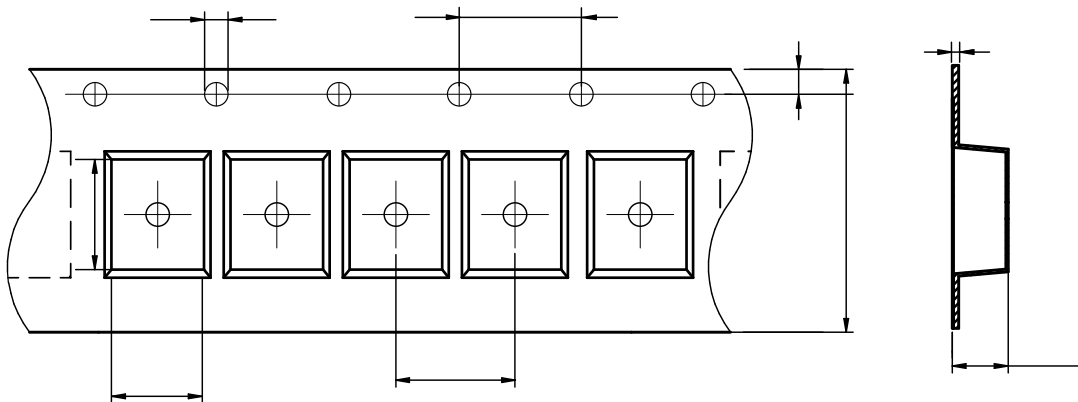
refer to 20K self heating above ambient temperature



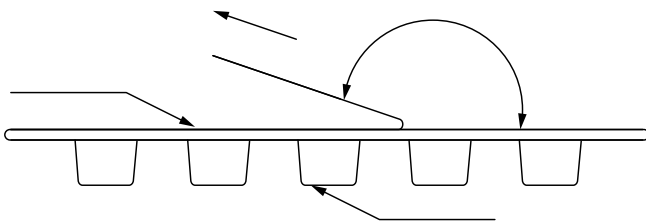


C  
C  
C

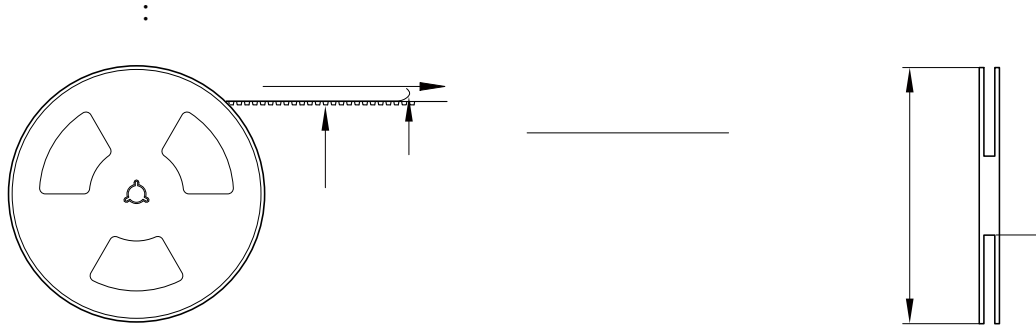
:



ACMA3225	$2.88 \pm 0.1$	$3.72 \pm 0.1$	$1.5 \pm 0.1$	$4.0 \pm 0.1$	$4.0 \pm 0.1$	$8.0 \pm 0.3$	$2.5 \pm 0.1$	$1.75 \pm 0.1$	$0.26 \pm 0.05$



The peel force of top cover tape shall be between 0.14 to 0.78 N



:

- 
- 
- 
- 
- 
- 
- 
- 
-